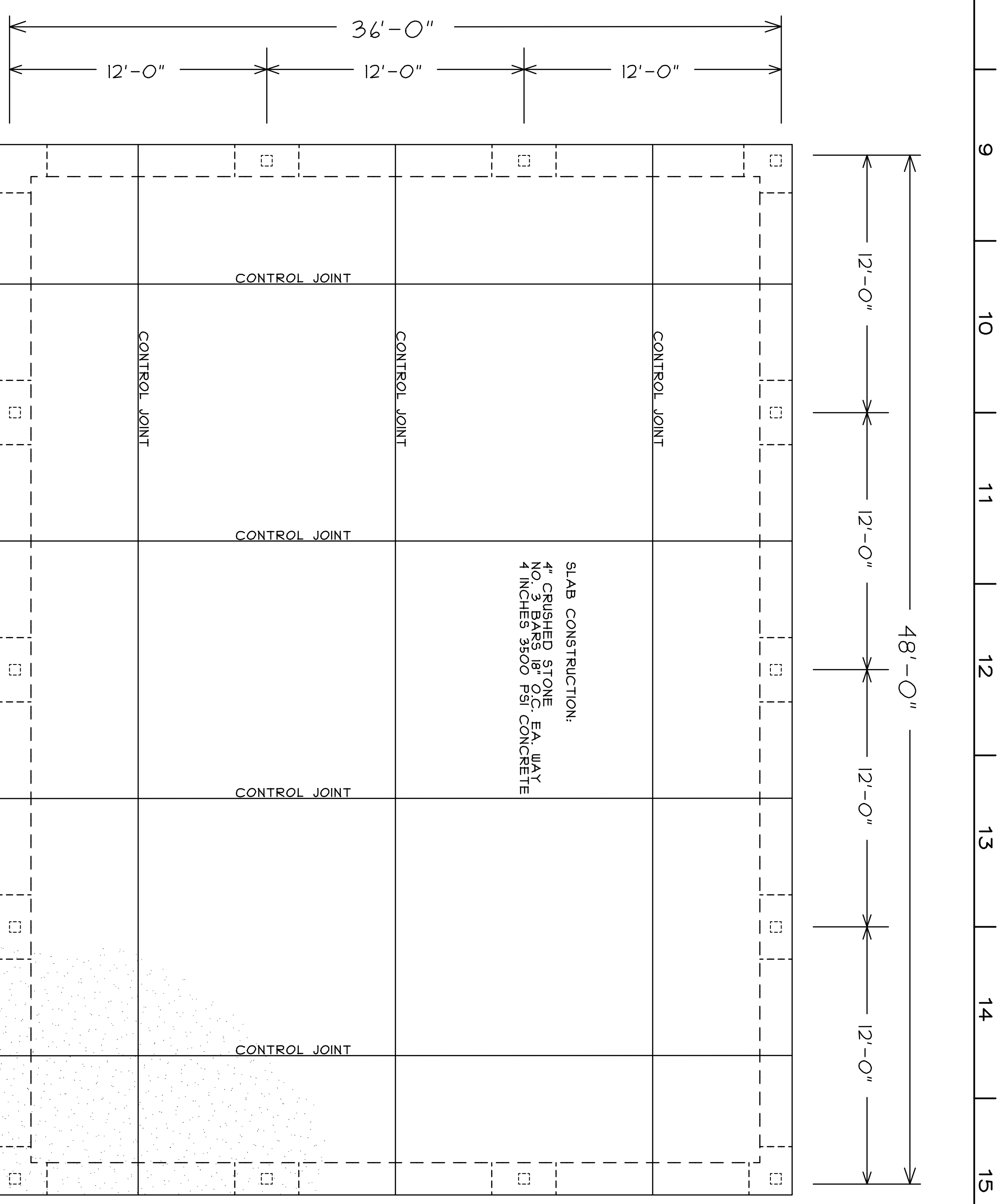
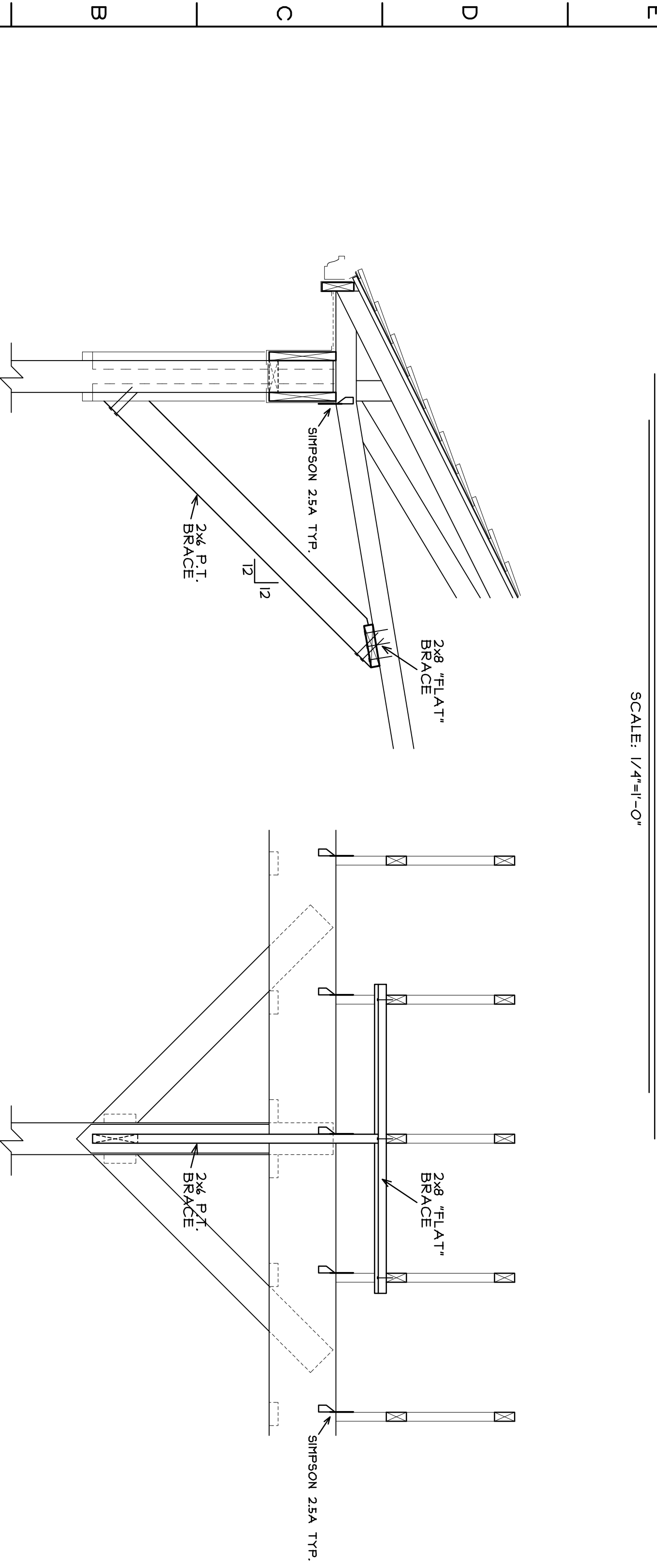


ROOF FRAMING PLAN
SCALE: 1/4"=1'-0"

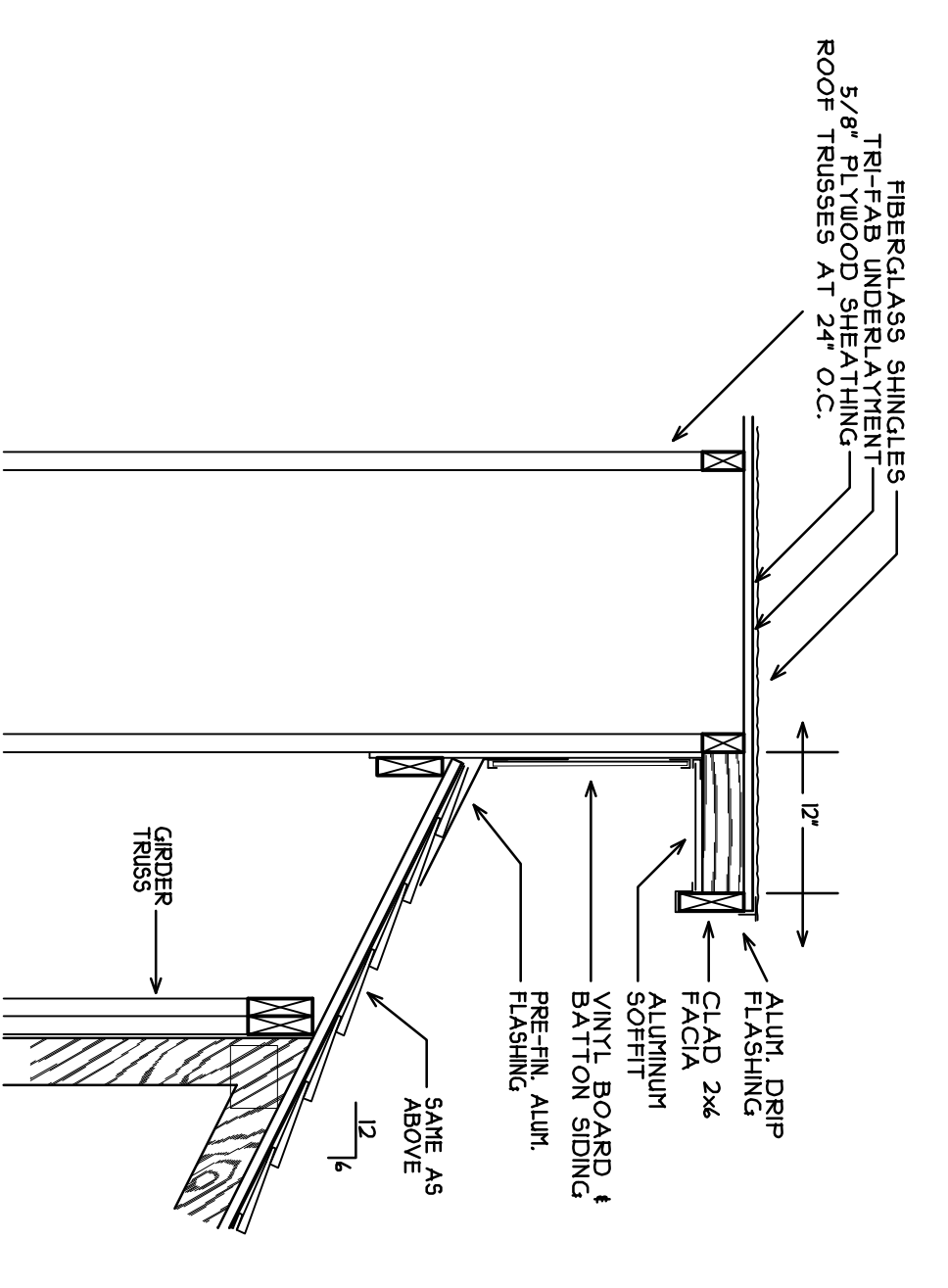


FOUNDATION PLAN
SCALE: 1/4"=1'-0"



TYP. BRACE SECTION A1
SCALE: 3/4"=1'-0"

TYP. BRACE SECTION A5
SCALE: 3/4"=1'-0"



TYP. GABLE SECTION A10
SCALE: 3/4"=1'-0"

1 2 3 4 5 6 7 8 9 10 11 12 13 14 15 16 17

A B C D E F G H I J K

COMMONWEALTH OF VIRGINIA
DALE LEE CUPP
No. 009444
ARCHITECTS

PROJECT NUMBER: RdpHsSimpsonPark
SHEET NUMBER: S-101
SHEET 1 OF 1

A NEW SHELTER
FOR THE
CITY OF HARRISONBURG
RALPH SAMPSON PARK
HARRISONBURG, VIRGINIA

DRAMA: MCL
DATE: JULY 30, 2013
DRAWING TITLE: FOUNDATION PLAN, ROOF FRAMING PLAN

REVISIONS:

MILLER CUPP ASSOCIATES ARCHITECTS, P.C.
1951-A EVELYN BYRD AVENUE
HARRISONBURG, VA, 22801
PHONE (540) 434-6044
FAX (540) 434-1142

CHECKER: DLG
CAD FILE: RdpHsSimpsonPark.cac