

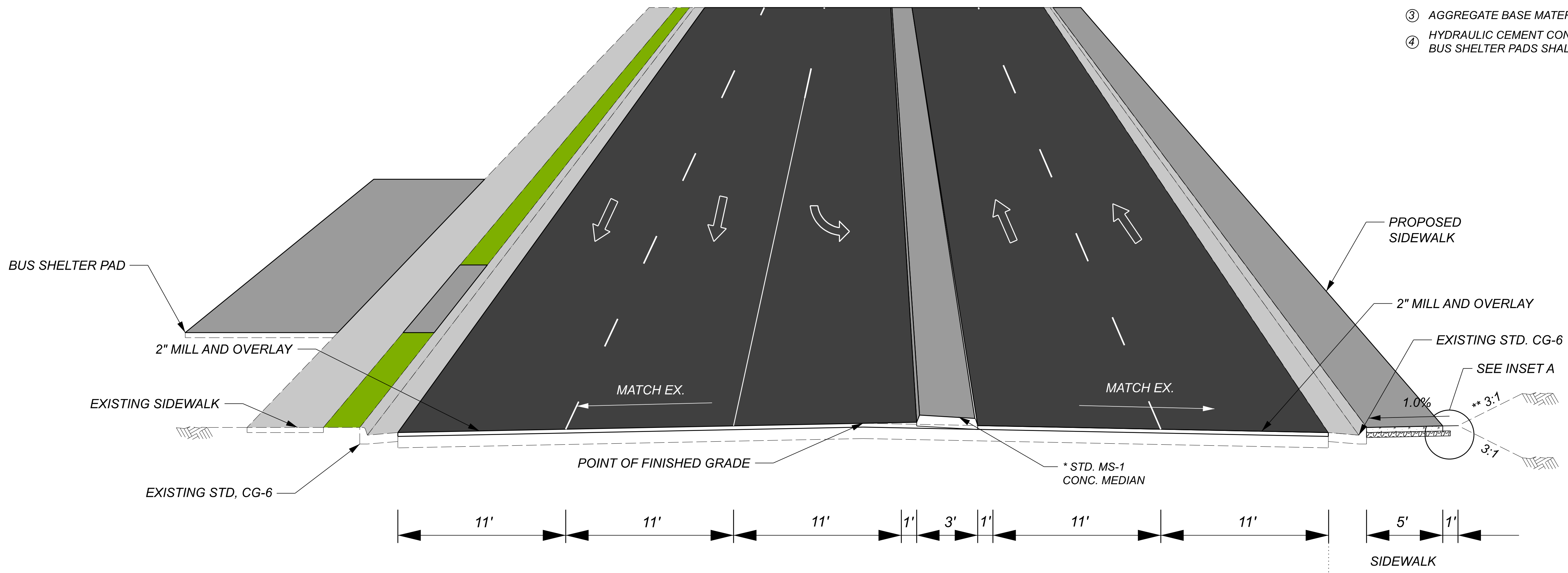
PROJECT MANAGER Aaron Boney (1540) #34-5928 (City of Harrisonburg) ---
 SURVEYED BY DATE Valley Engineering (1540) #34-6365, 05/11/2023 ---
 DESIGN BY Whitman, Requardt, & Associates, LLP (1804) 272-8700 ---
 SUBSURFACE UTILITY BY DATE Valley Engineering (1540) #34-6365 ---

TYPICAL SECTION

UPC 119845

REVISED	STATE	ROUTE	STATE PROJECT	SHEET NO.
	VA.	11	0011-115-278, C-501	

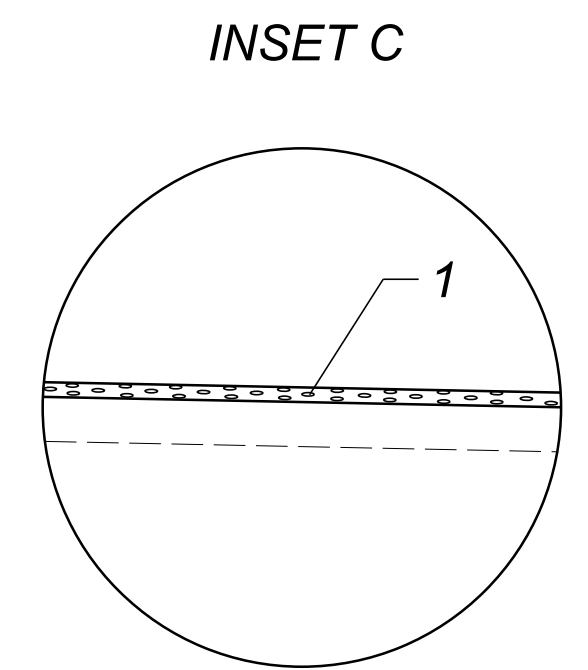
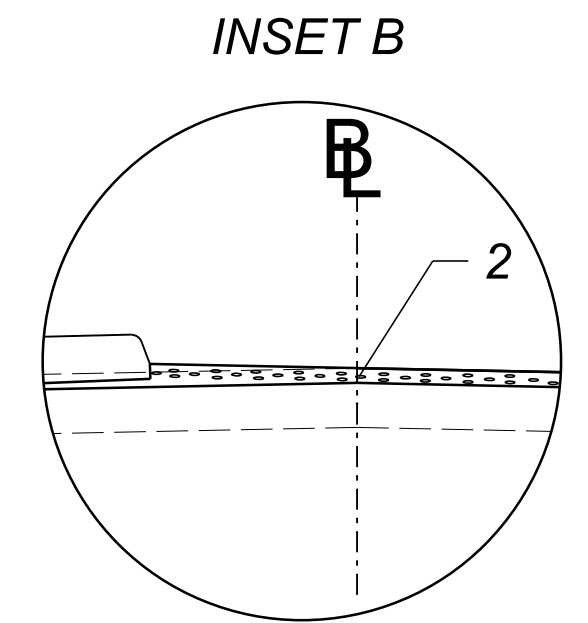
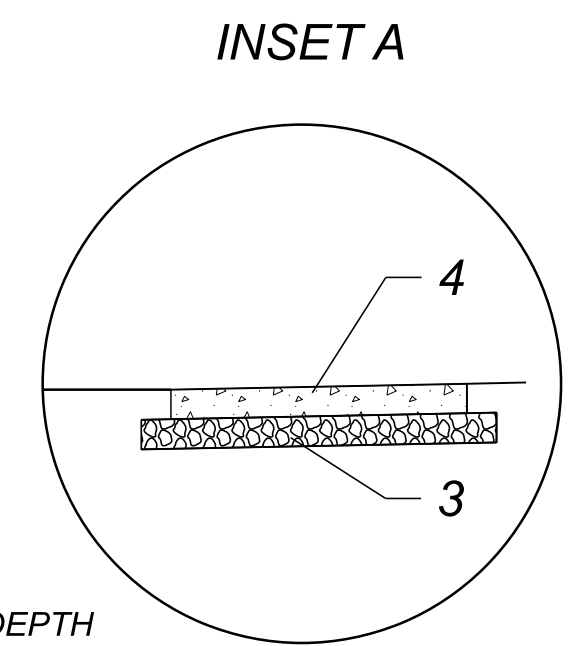
DESIGN FEATURES RELATING TO CONSTRUCTION OR TO REGULATION AND CONTROL OF TRAFFIC MAY BE SUBJECT TO CHANGE AS DEEMED NECESSARY BY THE DEPARTMENT



S. MAIN ST. ROUTE 11
TYPICAL SECTION

PRELIMINARY PAVEMENT LEGEND

- ① ASPHALT CONCRETE SURFACE COURSE, TYPE SM-9.5D - 2 INCH DEPTH
- ② ASPHALT CONCRETE SURFACE COURSE, TYPE SM-9.5D - DEPTH VARIES
- ③ AGGREGATE BASE MATERIAL, TYPE I, SIZE No. 21B - 4 INCH DEPTH
- ④ HYDRAULIC CEMENT CONCRETE, CLASS A-3 - 4 INCH DEPTH
BUS SHELTER PADS SHALL CONTAIN REINFORCEMENT AS NOTED



Public Hearing Display Feb. 22, 2024

NOT TO SCALE	PROJECT 0011-115-278	SHEET NO.
--------------	-------------------------	-----------